



BENCHCRAFTED

SWING AWAY SEAT

Installation guidelines

May 2017

~ ~ ~

Package contents:

- [1] Swing Away Seat mount [the large casting]
- [1] Swing Away Seat bracket [the small casting]
- [2] Swing Away Seat pivot pin

Optional equipment:

- [1] Quartered White Oak seat

Not included: mounting hardware

~ ~ ~

Thanks for purchasing the Benchcrafted Swing Away Seat. Originally designed for use on woodworking benches and shop furniture, the seat can be used in a wide variety of applications like restaurants, kitchens, craft rooms, garages, and the like.

The seat itself is quite simple. It pivots a bit more than 180 degrees so one can swing the seat under a table top when not in use, and also allow some range of movement while seated. The castings are powder-coated gray iron and require no maintenance other than a wipe down with a soft cloth when they become dusty. The seat can

be used outdoors, but being made of iron, any exposed areas or worn areas [like the bosses the mount rides on and the steel pivot pins] will eventually rust. That's not to say the seat will become non-functional, just be aware of a visual change once exposed to the elements. A drop or two of oil under the heads of the pivot pins will help keep the mount swinging free.

Weight Capacity

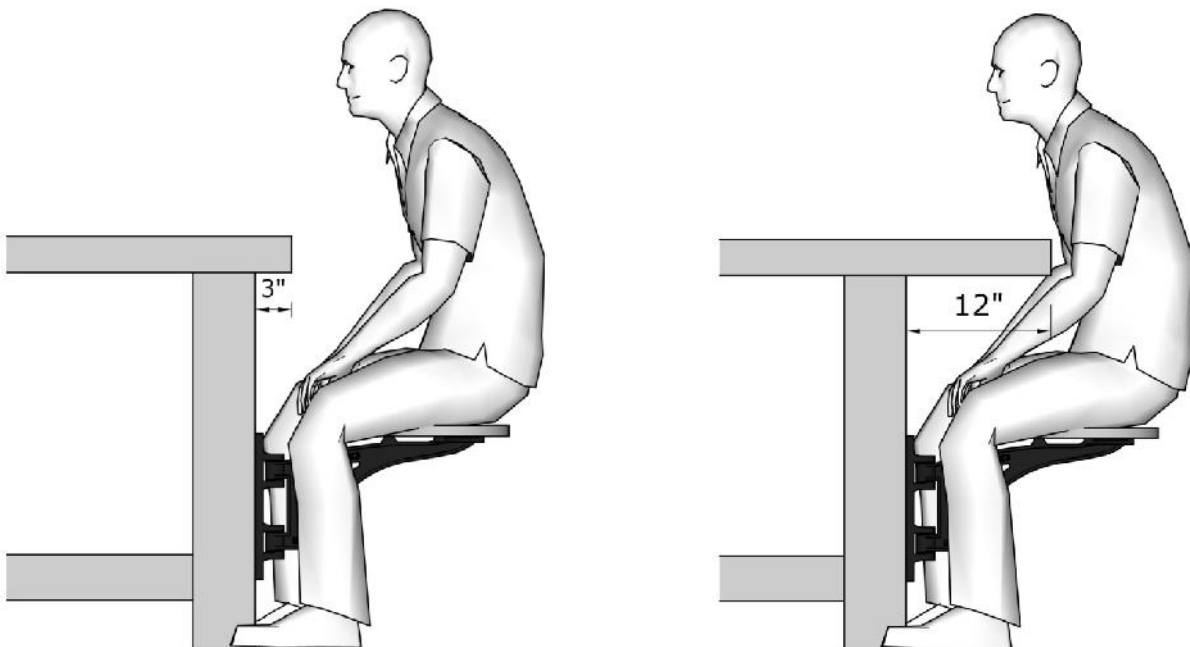
The iron components are overbuilt and will support even the largest humans. There is no weight limit. The mechanical connection with your bench or table is another matter, and again, up to the final installer.

Balance

Since the Swing Away Seat is mounted to a separate structure, you'll need to take balance into consideration before mounting the seat. If you're mounting the seat to a freestanding table or bench with straight legs, and the bench doesn't weigh a lot, you may find it easy to tip the bench over once you put your body weight on the seat. Again, this depends on the weight of the bench or table, the weight of the sitter, and the leg arrangement. If your table has a base where the legs extend past the top [in effect, going under the seat] you'll have some extra support underneath and will find the arrangement more stable. The farther the bench or table is away from the bracket, the more it will resist the weight of the sitter [the cantilever affect]. If you find your arrangement unstable, you may need to add weight to your bench or even bolt it to the ground. Also keep in mind if you're mounting more than one seat to a structure, and two people on one side use the seat, you may get some tipping. Use your judgement.

Overhang

The seat is designed to be mounted to a table whose top is flush, or slightly protruding from the leg on which the seat is mounted. For woodworking benches, you'll want to mount the bracket on the side of the leg, so as to not interrupt the front vertical plane of the bench, and slightly recessed (about 1/8") past this front plane for the same reason. If you're mounting the seat to a kitchen island, peninsula or freestanding table, you can get away with mounting it to a leg that's recessed up to 3" past the overhang of the top. If you go further than this, the top may end up too close to the sitter's body. See illustration below.



Height

To get a feel for the ideal height to mount the seat, you can temporarily clamp the bracket to your bench or table leg to test different heights. 20" is a good starting point for average people.

The top of the bracket is about 1" below the final height of a 1" thick wood seat. So if you want your final height to be 20", mount the bracket so the top of the casting is 19" off the floor.

Mounting the seat

<<Disclaimer>>

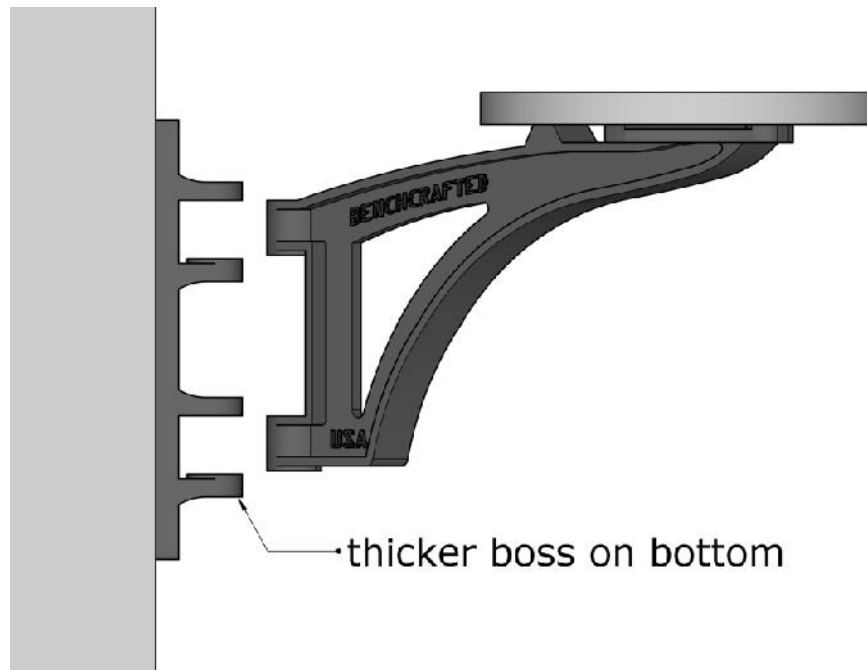
Benchcrafted will not be held responsible for your mounting situation or damage or injury incurred as a result of faulty mounting of the Swing Away Seat. The installer is entirely responsible for the outcome of each mounting situation.

Because of the wide variety of mounting situations, we don't include any mounting fasteners with the seat. Here are some guidelines to help you choose fasteners.

For mounting to hardwoods at least 3" thick (like a workbench leg) you can use good quality 1/2" lag bolts. Good quality means deep and sharp threads. Some of the big box stores carry really lousy quality bolts with shallow, blunt threads. Don't use these! If you're mounting to softwood like pine or fir, you'll want at least 4" of thread engagement in the material, so 5" lag bolts.

If your mounting surface is thinner than what we describe above, it's best to use a 1/2" machine bolt, nut and washer for maximum strength. Place the bolt head on the bracket side and the nut and washer on the opposite side of the mounting surface.

Orient the bracket so the thicker pair of bosses is on the bottom.

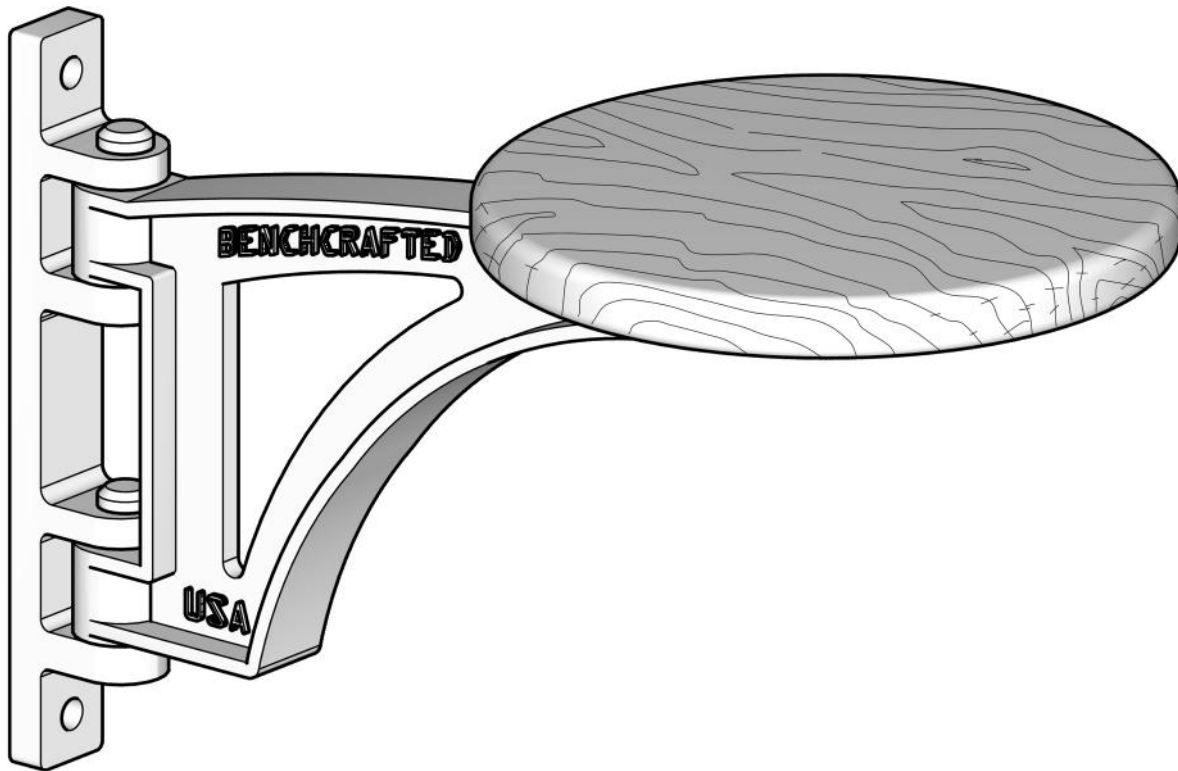


You can use any standard hex head fastener to mount the seat, but we like the look of the square head lags and bolts in the black finish available from www.blacksmithbolt.com. We have no affiliation with the company, but we've been happy customers for a number of years.

Assemble the Seat

Once the bracket is attached to your structure you can attach the mount to the bracket. Before you do that you should attach the wood seat. If you're making your own wood seat, the dimensions are 7/8" thick [at least, thicker is fine] x 11" diameter at least [a little larger is fine.] Three wood screws are included for attaching the wood seat. Grain direction is not critical. When attaching the seat, make sure you position it so the seat covers the single rectangular boss in the middle of the mount.

To assemble the mount to the bracket, place the mount between the bracket's bosses and insert the two pivot pins. They are simply held in place by gravity. If you find them difficult to insert, check for a buildup of powder coating in the holes. If you find some, run a 1/2" drill bit [slowly now] or file through the holes to clean them up.



As with all Benchcrafted products, feel free to contact us for technical help should you need it at info@benchcrafted.com